

## New dot peen marking gun e1-p123



### Comfortable

- Low vibrations during marking
- Minimal noise
- Back face support providing

### High performance

- Great precision and quality
- High speed marking
- Powerful system for deep marking
- Marking on parts up to 62HRC

### Robust and reliable

- Cast aluminum body and handle for robustness and lightness
- Rigid and stable one-piece front plate perfectly suited for industrial environment
- Stainless steel spring string relief for cable protection

### User-friendly

- Easy front plate adjustment with 4 predefined positions
- Handle base designed to guarantee perfect stability
- Removable handle hood for easy maintenance

## NEW PORTABLE SPECIFICATIONS



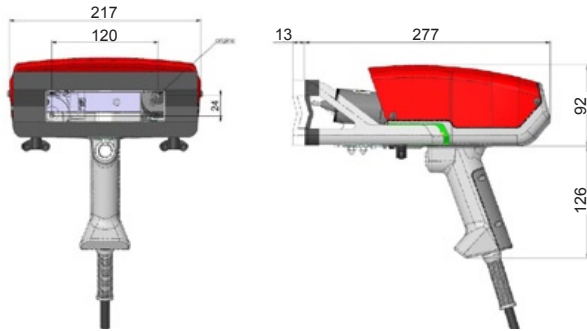
## MARKING SAMPLES



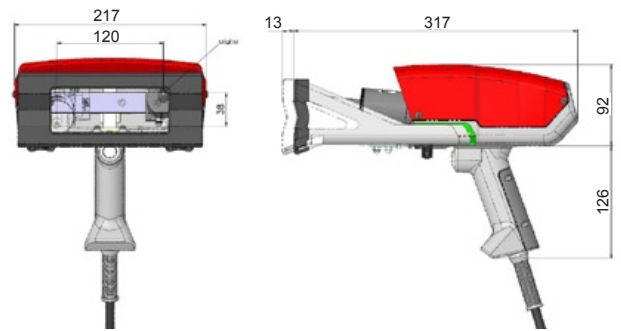
## MECHANICAL TECHNICAL FEATURES

p 123

|                              |                                                               |
|------------------------------|---------------------------------------------------------------|
| Marking window               | 120 x 25 mm / 4.7 x 1 inches - 120 x 40 mm / 4.7 x 1.6 inches |
| Weight                       | 3,7 kg / 8.15 lbs                                             |
| Robotic cable                | 3 m                                                           |
| Stylus                       | Carbide                                                       |
| Marking of cylindrical parts | V-groove front plate                                          |
| Setup assistance             | Position memory front plate                                   |



Marking window 120 x 25 mm / 4.7 x 1 inches



Marking window 120 x 40 mm / 4.7 x 1.6 inches

## e1 CONTROLLER



e1

- Color screen
- Reduced size
- USB port for simple transfer of marking files
- Fully programmable, easy to use software
- All marking types (DataMatrix, angular, circular, alphanumeric, logos etc.)
- Industrial membrane keyboard



■ Color screen



■ USB port



■ Ergonomic handle

## OPTIONS & ACCESSOIRES



Magnetic clamping



Maintenance kit



Bar-code and Data Matrix reader



Column / support plate



Hooking ring + balancer



**Purshotam Company Pvt. Ltd.**

Email : [sales@purshotam.com](mailto:sales@purshotam.com)

Website : [www.purshotam.com](http://www.purshotam.com)



### Kolkata Office

8, Lyons Range, 1<sup>st</sup> floor  
Kolkata – 700 001, India  
Tel: +91 33 2243 4941 / 2231 5344  
Fax : +91 33 2230 5299

### Pune Office

Montvert Voila, Flat # 303  
Ivory Estate, 13/1 Baner Road  
Pune 411007, India  
Telefax +91 20 4678 2070